

HYDRAULIC COMPONENTS
HydraPac Italia

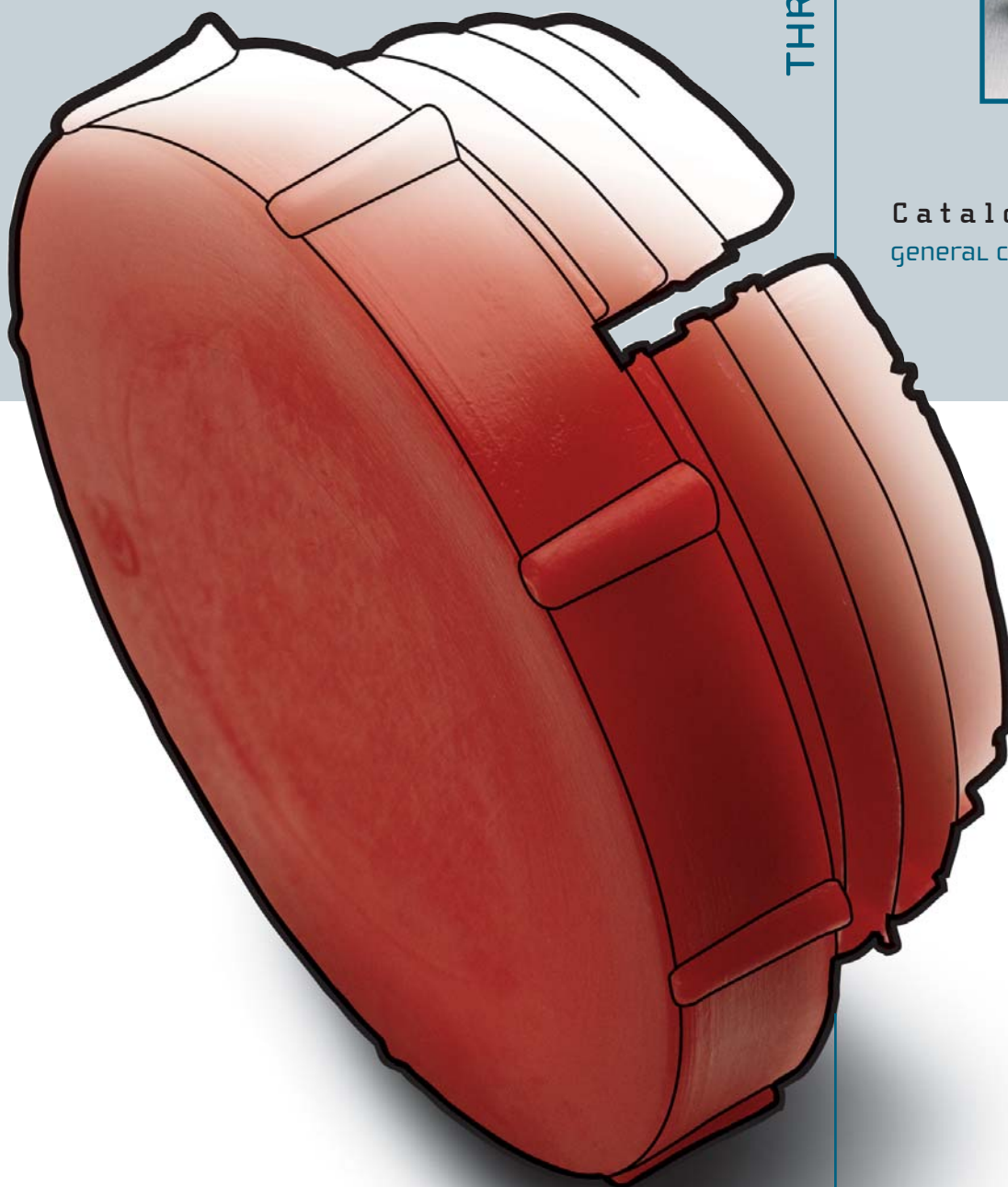
TAPPI PER PROTEZIONE FILETTI

THREAD PROTECTION PLUGS



Catalogo generale
general catalogue

www.hydrpac.it



TAPPI PER PROTEZIONE FILETTI



Tappi provvisori per raccordi e tubazioni idrauliche

Con una piccola pressione e mezzo giro finale, eccolo montato perfettamente. Per toglierlo non servono attrezzi, è sufficiente svitare, le filettature restano pulite e non rischiano di danneggiarsi.

Temporary plugs for hose and hydraulic pipes

Slight pressure and a final half turn is all that is needed for perfect fitting. No tools are needed for removal, it is sufficient to unscrew the piece and the threads stay clean without any risk of damage.



Produzione e vendita

- Tappi salvafiletto "METRICO" femmina e maschio (brevettato)
- Tappi salvafiletto "GAS" femmina e maschio (brevettato)
- Tappi salvafiletto "UNF" femmina e maschio (brevettato)
- Tappi salvafiletto "DRFS" femmina e maschio
- Tappi copriflange (SAE)
- Anelli per tubo R6
- Anelli anti-sfilamento dadi
- Tappi per orientabili
- Tappi conici
- Tappi cilindrici

Production and sales:

- "METRICO" male and female thread protection plugs (patented)
- "GAS" male and female thread protection plugs (patented)
- "UNF" male and female thread protection plugs (patented)
- "DRFS" male and female thread protection plugs
- Flange plugs (SAE)
- Rings for R6 pipe
- Nylon gaskets
- Plugs for revolving elements
- Tapered plugs
- Cylindrical plugs

THREAD PROTECTION PLUGS

Specifiche generali

I nostri tappi sono disponibili nella versione standard in materiale polietilene nei colori definiti nelle schede seguenti. È possibile richiedere, per quantità, materiale resistente a medie temperature e colori come da tabella sotto riportata:

Materiali a richiesta:

- Hytrel per media temperatura [180 °C]
- Gomma termoplastica
- Nylon

Colori a catalogo su richiesta*:

- rosso [Ral 3020], blu [Ral 5002], verde [Ral 6032], grigio [Ral 7004], nero [Ral 9005], giallo [Ral 1021]

* altri colori a richiesta su scala Ral

General features

Our plugs are available in standard version in polyethylene material in the colours indicated in the following tables. Available on require, per quantity, medium temperature resisting material and colours as indicated below:

Materials on request:

- Hytrel for medium temperature [180 °C]
- Thermoplastic rubber
- Nylon

Colours in catalogue on request*:

- red [Ral 3020], blue [Ral 5002], green [Ral 6032], gray [Ral 7004], black [Ral 9005], yellow [Ral 1021]

* on require, other colours in Ral scale

Su richiesta si progettano e realizzano tappi speciali con caratteristiche, materiali e colori definiti dal cliente.

We project and manufacture, on require, special plugs following features, materials and colours asked for by the customer.



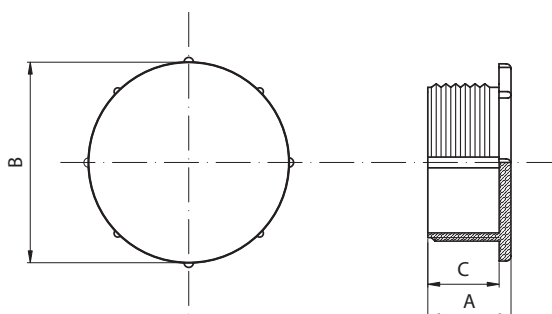


TAPPI MASCHIO TAGLIATI

MALE PLUGS

Type:

- Metrico METRIC
- Unf UNF
- Gas GAS



Standards:

Materiale MATERIAL
LDPE

Colore COLOR
ROSSO RED

A richiesta On request:

Materiale MATERIAL
HYTREL*

* per medie temperature [180°]
for middle temperature [180°]

TAPPI MASCHIO METRICO TAGLIATI

METRIC MALE PLUGS

Dimensioni - Dimensions (mm)

Codice/Code	A	B	C
TMM 7X1	9,5	11,5	6,0
TMM 8X1	9,5	11,5	6,0
TMM 10X1	9,5	14,5	6,0
TMM 12X1,5	13,5	18,0	8,0
TMM 14X1,5	13,5	20,5	8,5
TMM 16X1,5	14,5	19,5	9,0
TMM 18X1,5	14,0	21,5	9,0
TMM 20X1,5	15,0	25,5	9,0
TMM 22X1,5	13,5	26,0	8,5
TMM 24X1,5	16,0	29,0	10,0
TMM 26X1,5	15,5	30,0	11,0
TMM 30X1,5	14,0	35,0	8,0
TMM 30X2	14,0	35,0	8,0
TMM 36X2	16,0	40,0	10,0
TMM 38X1,5	16,0	45,0	10,0
TMM 42X1,5	17,5	47,0	10,5
TMM 42X2	17,5	47,0	10,5
TMM 45X2	17,0	50,0	11,0
TMM 52X2	17,5	60,0	11,5

TAPPI MASCHIO UNF TAGLIATI

UNF MALE PLUGS

Dimensioni - Dimensions (mm)

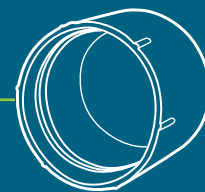
Codice/Code	A	B	C
TMU 3/8 x 24	8,7	16,3	6,2
TMU 7/16 x 20	12,0	16,5	7,0
TMU 1/2 x 20	13,5	18,0	8,0
TMU 9/16 x 18	13,5	20,5	8,5
TMU 5/8 x 18	12,9	7,6	27,3
TMU 3/4 x 16	15,0	21,0	10,0
TMU 7/8 x 14	13,5	26,0	8,5
TMU 1" 1/16 x 12	17,0	30,0	11,0
TMU 1" 5/16 x 12	15,5	37,5	10,0
TMU 1" 5/8 x 12	17,5	47,0	10,5
TMU 1" 7/8 x 12	16,5	54,0	10,5
TMU 2" x 12	15,5	62,5	9,5

TAPPI MASCHIO GAS TAGLIATI





GAS MALE PLUGS

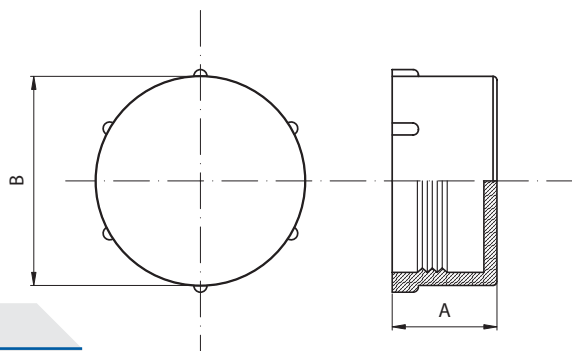
Dimensioni - Dimensions (mm)

Codice/Code	A	B	C
TMG 1/8 x 28	9,5	14,5	6,0
TMG 1/4 x 19	13,5	18,0	8,0
TMG 3/8 x 19	14,5	19,5	9,0
TMG 1/2 x 14	15,0	25,5	9,0
TMG 5/8 x 14	12,6	19,5	7,9
TMG 3/4 x 14	17,0	30,0	11,0
TMG 1" x 14	15,5	37,5	10,0
TMG 1" 1/4 x 14	17,5	47,0	10,5



Type:

 Metrico	METRIC
 Unf	unf
 Orfs	orfs
 Gas	gas


 TAPPI FEMMINA METRICO

METRIC FEMALE PLUGS

Dimensioni - Dimensions (mm)

Codice/Code	A	B
TFM 8X1,5	13,0	11,5
TFM 10X1,5	13,0	12,0
TFM 12X1,5	14,0	15,0
TFM 14X1,5	14,5	16,5
TFM 16X1,5	11,0	19,0
TFM 18X1,5	17,0	21,0
TFM 20X1,5	14,0	23,0
TFM 22X1,5	20,5	25,0
TFM 24X1,5	20,5	25,0
TFM 26X1,5	22,0	29,5
TFM 30X2	17,0	33,0
TFM 30X2 LUNGO	23,0	33,5
TFM 32X1,5	21,5	37,0
TFM 36X2	18,5	38,0
TFM 38X1,5	22,0	40,5
TFM 42X1,5	23,5	45,0
TFM 42X2	23,5	46,5
TFM 45X2	22,0	47,5
TFM 52X2	24,5	55,0

 TAPPI FEMMINA UNF

UNF FEMALE PLUGS

Dimensioni - Dimensions (mm)

Codice/Code	A	B
TFU 3/8 x 24	13,0	12,0
TFU 7/16 x 20	13,5	13,5
TFU 1/2 x 20	14,0	15,0
TFU 9/16 x 16	14,5	16,5
TFU 5/8 LUNGO	20,5	19,0
TFU 3/4 x 16	17,0	21,0
TFU 7/8 x 14	20,5	25,0
TFU 11/16 x 16	17,0	21,0
TFU 13/16 x 16	20,5	25,0
TFU 1" x 14	21,0	27,0
TFU 1" 1/16 x 12	22,0	29,5
TFU 1" 3/16 x 12	17,0	33,0
TFU 1" 5/16 x 12	21,5	36,0
TFU 1" 11/16 LISCIO	23,5	45,5
TFU 1" 7/16 x 12	18,5	38,0
TFU 1" 5/8 x 12	23,5	45,0
TFU 1" 7/8 x 12	28,0	51,0
TFU 2" x 12	24,5	55,0
TFU 2" 1/2 x 12	34,0	66,5

 TAPPI FEMMINA ORFS

ORFS FEMALE PLUGS

Dimensioni - Dimensions (mm)

Codice/Code	A	B
TFO 9/16	14,5	16,5
TFO 11/16	17,0	21
TFO 13/16	20,5	25
TFO 1"	21,0	27
TFO 1" 3/16	17,0	33
TFO 1" 7/16	18,5	38
TFO 1" 11/16	23,5	45
TFO 2"	24,5	55

 TAPPI FEMMINA GAS

GAS FEMALE PLUGS

Dimensioni - Dimensions (mm)

Codice/Code	A	B
TFG 1/8 x 28	13,0	12,0
TFG 1/4 x 19	11,0	15,0
TFG 3/8 x 19	11,0	19,0
TFG 1/2 x 14	14,0	23,0
TFG 5/8 x 16	20,0	25,0
TFG 3/4 x 14	22,0	29,5
TFG 1" x 11	21,5	36,5
TFG 1" 1/4 x 11	23,5	45,0
TFG 1" 1/2 x 11	28,5	50,5
TFG 2" x 11	27,5	62,5

Standards:

Materiale	MATERIAL
	LDPE
Colore	COLOR
ROSSO	RED

A richiesta On request:

Materiale	MATERIAL
	HYTREL*

GOMMA THERMOPLASTICA THERMOPLASTIC RUBBER

* per medie temperature [180°]
for middle temperature [180°]

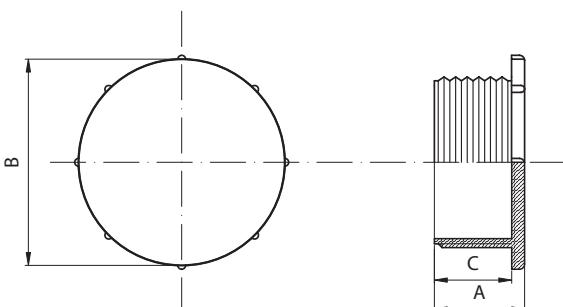


TAPPI MASCHIO INTERI

MALE PLUGS ENTIRE

Type:

Metrico	METRIC
Unf	unf
Orfs	orfs
Gas	gas



Standards:

Materiale	MATERIAL
	LDPE
Colore	COLOR
ROSSO	RED

A richiesta On request:

Materiale	MATERIAL
	HYTREL*

* per medie temperature [180°]
for middle temperature [180°]

TAPPI MASCHIO METRICO INTERI

METRIC PLUGS MALE ENTIRE

Dimensioni - Dimensions (mm)

Codice/Code	A	B	C
TMM 14X1,5 I	13,5	20,5	8,5
TMM 16X1,5 I	14,5	19,5	9,0
TMM 20X1,5 I	15,0	25,5	8,5
TMM 22X1,5 I	13,5	26,0	8,5
TMM 24X1,5 I	16,0	29,0	10,0
TMM 30X1,5 I	14,0	35,0	8,0
TMM 30X2 I	14,0	35,0	8,0
TMM 36X2 I	16,0	40,0	10,0
TMM 52X2 I	17,5	60,0	11,5

TAPPI MASCHIO UNF INTERI

UNF PLUGS MALE ENTIRE

Dimensioni - Dimensions (mm)

Codice/Code	A	B	C
TMU 1/2 I x 20	13,5	18,0	8,0
TMU 9/16 I x 18	13,5	20,5	8,5
TMU 7/8 I x 14	13,5	26,0	8,5
TMU 11/16 I x 16	11,0	20,5	7,2
TMU 13/16 I x 16	12,8	25,5	9,0
TMU 1" I x 14	14,5	30,5	31,7
TMU 1" 1/16 I x 12	13,5	30,5	9,5
TMU 1" 3/16 I x 12	16,5	36,0	12,0
TMU 1" 5/16 I x 12	15,5	37,5	10,0
TMU 1" 7/16 I x 12	15,5	40,5	10,0
TMU 1" 11/16 I x 12	16,0	46,5	10,5
TMU 1" 5/8 I x 12	17,5	47,0	10,5

TAPPI MASCHIO ORFS

ORFS MALE PLUGS

Dimensioni - Dimensions (mm)

Codice/Code	A	B	C
TMO 9/16	13,5	20,5	8,5
TMO 11/16	11,0	20,5	7,2
TMO 13/16	12,8	25,5	9,0
TMO 1"	14,5	30,5	31,7
TMO 1" 3/16	16,5	36,0	12,0
TMO 1" 7/16	15,5	40,5	10,0
TMO 1" 11/16	16,0	46,5	10,5
TMO 2"	15,5	62,5	9,5

TAPPI MASCHIO GAS INTERI

GAS PLUGS MALE ENTIRE

Dimensioni - Dimensions (mm)

Codice/Code	A	B	C
TMG 3/8 I x 19	14,5	19,5	9,0
TMG 1/2 I x 14	15,0	25,5	9,0
TMG 3/4 I x 14	17,0	30,0	11,0
TMG 1" I x 14	15,5	37,5	10,0
TMG 1" 1/4 I x 14	17,5	47,0	10,5
TMG 1" 1/2 I x 11	16,5	54,0	10,5
TMG 2" I x 11	17,0	30,0	11,0

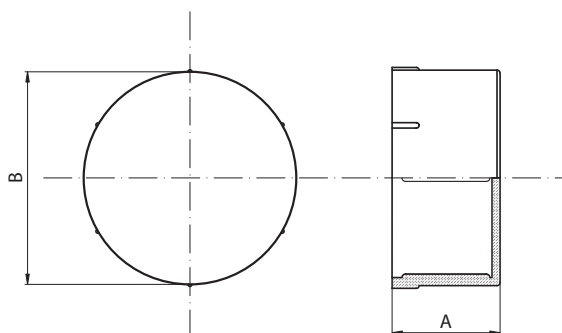
TAPPI FEMMINA QUATTRO TACCHE

FEMALE PLUGS FOUR LINES



Type:

Metrico	METRIC
Unf	UNF
Gas	GAS



TAPPI FEMMINA METRICO QT

METRIC FEMALE PLUGS FOUR LINES

Dimensioni - Dimensions (mm)

Codice/Code	A	B
TFM 8X1,5 QT	13,0	11,6
TFM 10X1,5 QT	13,0	12,0
TFM 12X1,5 QT	14,0	15,0
TFM 14X1,5 QT	14,5	16,5
TFM 22X1,5 QT	20,5	25,0
TFM 26X1,5 QT	22,0	29,5
TFM 30X2 QT	17,0	33,0
TFM 36X2 QT	18,5	38,0
TFM 42X2 QT	23,5	46,5

TAPPI FEMMINA UNF QT

UNF FEMALE PLUGS FOUR LINES

Dimensioni - Dimensions (mm)

Codice/Code	A	B
TFU 3/8 QT	13,0	12,0
TFU 7/16 QT	13,5	13,5
TFU 1/2 QT	14,0	15,0
TFU 9/16 QT	14,5	16,5
TFU 7/8 QT	20,5	25,0
TFU 1" QT	21,0	27,0
TFU 1" 1/16 QT	22,0	29,5
TFU 1" 5/16 QT	21,5	36,0
TFU 1" 11/16 QT	23,5	45,5

TAPPI FEMMINA GAS QT

GAS FEMALE PLUGS FOUR LINES

Dimensioni - Dimensions (mm)

Codice/Code	A	B
TFG 1/8 x 28 QT	13,0	12,0
TFG 1/4 x 19 QT	11,0	15,0
TFG 1/2 x 14 QT	14,0	23,0
TFG 3/4 x 14 QT	22,0	29,5
TFG 1" x 11 QT	21,5	36,5
TFG 1" 1/4 x 11 QT	23,5	45,0
TFG 1" 1/2 x 11 QT	28,5	50,5

Standards:

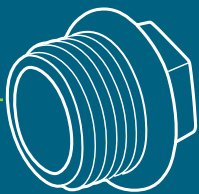
Materiale	MATERIAL
	LDPE
Colore	COLOR
ROSSO	RED

A richiesta On request:

Materiale	MATERIAL
	HYTREL*

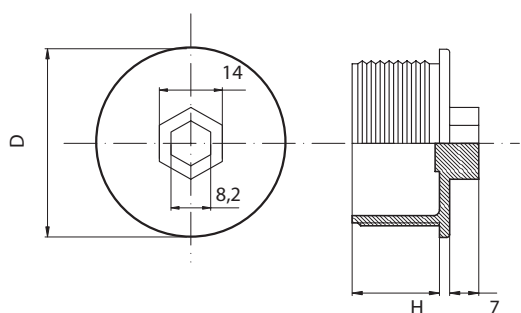
GOMMA TERMOPLASTICA THERMOPLASTIC RUBBER

* per medie temperature [180°]
for middle temperature [180°]



TAPPI A TENUTA GAS

GAS SEALING PLUGS



Standards:

Materiale MATERIAL

POLIAMIDE 6

Colore COLOR

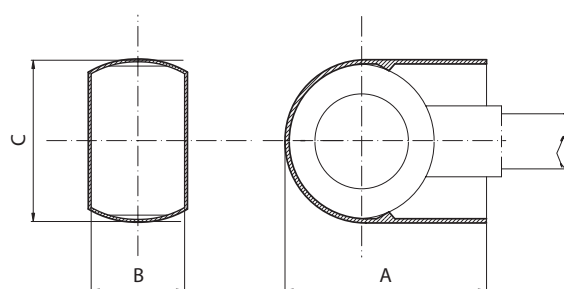
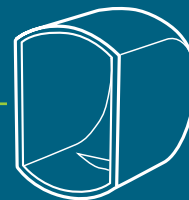

GIALLO YELLOW

TAPPI A TENUTA GAS

GAS SEALING PLUGS

Dimensioni - Dimensions (mm)

Codice/Code	D	H
TMEG 1/8	16,16	8,02
TMEG 1/4	18,12	9,88
TMEG 3/8	21,00	10,50
TMEG 1/2	25,19	10,97
TMEG 3/4	31,33	11,45
TMEG 1"	38,00	12,00


 **TAPPI A CAPPuccio**

CAPS FOR REVOLVING ELEMENTS

Dimensioni - Dimensions (mm)

Codice/Code	A	B	C
CAP08	17,0	8,0	16,5
CAP10	20,0	10,0	19,5
CAP12	25,0	12,5	22,0
CAP14	28,5	14,5	26,0
CAP16	32,5	16,5	30,0
CAP18	36,5	21,0	34,0
CAP22	44,0	25,5	41,5

Standards:

Materiale	MATERIAL
	LDPE
Colore	COLOR
ROSSO	RED

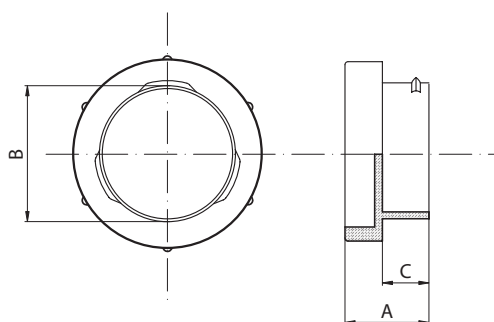


TAPPI A PRESSIONE

PRESSION PLUGS

Type:

<input checked="" type="checkbox"/> Metrico	METRIC
<input checked="" type="checkbox"/> Unf	unf
<input checked="" type="checkbox"/> Gas	gas



Standards:

Materiale	MATERIAL
	LDPE
Colore	COLOR
ROSSO	RED

TAPPI A PRESSIONE METRICO

METRIC PRESSION PLUGS

Dimensioni - Dimensions (mm)

Codice/Code	A	B	C
MPM 14x1,5	12,0	11,6	7,0
MPM 16x1,5	14,5	13,6	8,0
MPM 20x1,5	14,0	17,5	8,0

TAPPI A PRESSIONE UNF

UNF PRESSION PLUGS

Dimensioni - Dimensions (mm)

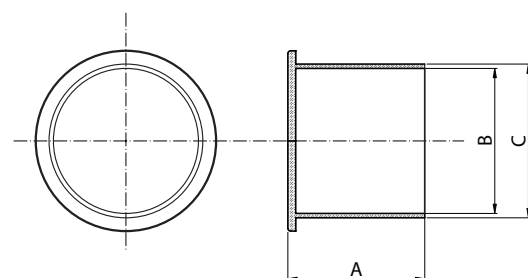
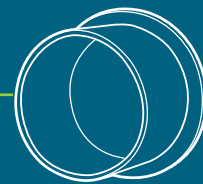
Codice/Code	A	B	C
MPU 7/16	9,5	9,5	5,5
MPU 9/16	12,0	12,2	6,5
MPU 3/4	12,5	17,0	6,5
MPU 11/16	13,0	14,8	7,0
MPU 1"	13,5	23,0	8,0
MPU 1" 1/16	13,0	23,6	7,0

TAPPI A PRESSIONE GAS

GAS PRESSION PLUGS

Dimensioni - Dimensions (mm)

Codice/Code	A	B	C
MPG 3/8	14,0	14,0	8,0
MPG 1/2	14,0	18,0	8,0



TAPPI CILINDRICI

CYLINDRICAL PLUGS

Dimensioni - Dimensions (mm)

Codice/Code	A	B	C
TCN 1/8	15,0	9,5	12,2
TCN 7/16	13,0	11,0	12,2
TCN 9/16	14,0	14,0	15,5
TCN 3/8	11,5	16,0	19,0
TCN 11/16	14,0	17,0	19,0
TCN 3/4	14,0	18,5	20,5
TCN 13/16	15,5	20,0	22,0
TCN 7/8	17,5	21,5	24,0
TCN 1"	17,5	25,0	27,0
TCN 1" 1/16	20,0	26,0	28,5
TCN 1" 3/16	20,0	30,0	31,5
TCN 1" 5/16	20,0	33,0	35,0
TCN 1" 7/16	20,0	36,0	38,0
TCN 3/8	21,0	37,0	40,5
TCN 1" 5/8	23,0	40,7	43,0
TCN 1" 5/8 L	35,5	41,0	43,0
TCN 1" 11/16	20,0	41,0	44,5
TCN 1" 7/8	26,5	47,0	48,9
TCN 1" 1/2	26,5	47,0	48,9

Standards:

Materiale

MATERIAL

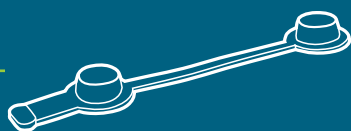
LDPE

Colore

COLOR

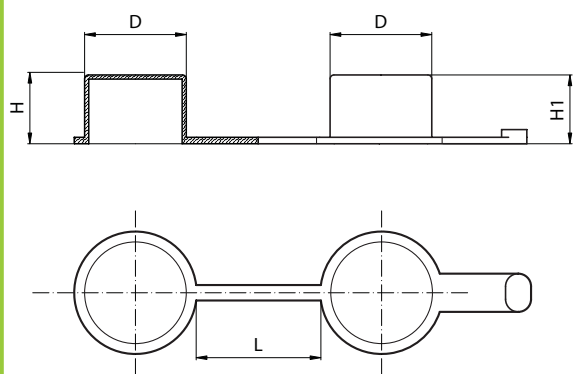
NEUTRO

NEUTRAL



TAPPI PER ORIENTABILI

PLUGS FOR REVOLVING ELEMENTS



Standards:

Materiale	MATERIAL
	LDPE
Colore	COLOR
ROSSO	RED

TAPPI PER ORIENTABILI

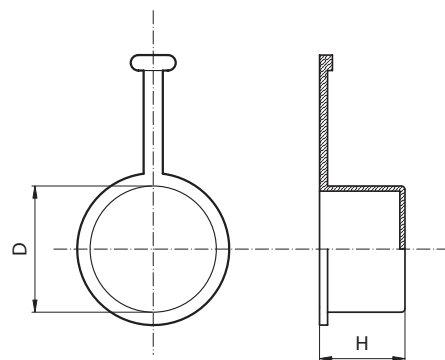
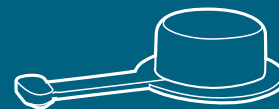
PLUGS FOR REVOLVING ELEMENTS

Dimensioni - Dimensions (mm)

Codice/Code	D	H	H1	L
TOR10	10,2	5,5	5,5	25,0
TOR12	12,2	7,0	7,0	55,0
TOR12 CONICO	12,0	17,5	4,0	22,5
TOR13	13,2	6,0	6,0	30,0
TOR14	14,3	5,5	5,5	28,0
TOR14 LUNGO	14,3	7,0	7,0	44,5
TOR16	16,5	8,0	6,0	30,0
TOR16 LUNGO	16,5	7,0	7,0	76,5
TOR18	18,5	10,5	9,0	35,0
TOR18 LUNGO	18,5	7,0	7,0	76,5
TOR21	21,2	11,0	11,0	51,0
TOR22	22,2	11,0	11,0	54,0
TOR27	27,5	12,0	12,0	55,0

TAPPI PER ORIENTABILI A METÀ

SINGLE PLUGS FOR REVOLVING ELEMENTS



TAPPI PER ORIENTABILI A METÀ

SINGLE PLUGS FOR REVOLVING ELEMENTS

Dimensioni - Dimensions (mm)

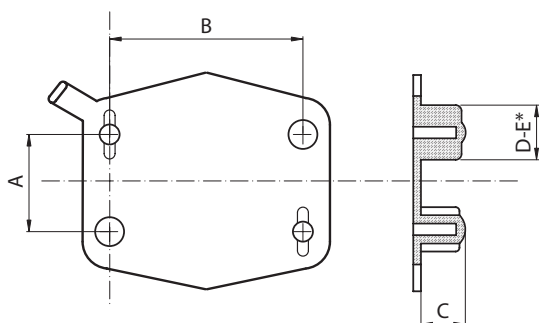
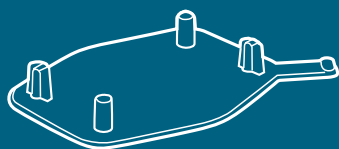
Codice/Code	D	H
TOR10-1/2	10,2	5,5
TOR12-1/2	7,0	55,0
TOR13-1/2	6,0	30,0
TOR16-1/2	6,0	30,0
TOR18-1/2	9,0	35,0
TOR21-1/2	11,0	51,0
TOR22-1/2	11,0	54,0
TOR27-1/2	27,0	11,5

Standards:

Materiale	MATERIAL
	LDPE
Colore	COLOR
ROSSO	RED

TAPPI FLANGIA SAE 4 FORI

4 HOLES SAE FLANGE PLUGS



* D = foro non filettato
E = foro filettato

Standards:

Materiale	MATERIAL
	LDPE
Colore	COLOR
ROSSO	RED

TAPPI FLANGIA A 4 FORI - 3000

4 HOLES SAE FLANGE 3000 PLUGS

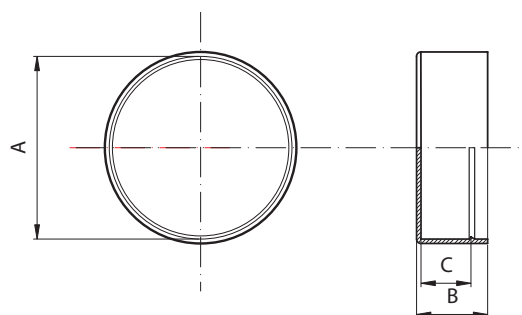

Codice/Code	Dimensioni - Dimensions (mm)				
	A	B	C	D	E
TF3000 1/2	17,5	38,0	10	9,3	6,7
TF3000 3/4	22,2	47,6	10	11,3	8,7
TF3000 1"	26,2	52,4	10	11,3	8,7
TF3000 1" 1/4	30,2	58,7	10	11,3	8,7
TF3000 1" 1/2	35,7	70,0	12	13,3	10,7
TF3000 2"	42,9	77,8	12	13,3	10,7

TAPPI FLANGIA A 4 FORI - 6000

4 HOLES SAE FLANGE 6000 PLUGS

Codice/Code	Dimensioni - Dimensions (mm)				
	A	B	C	D	E
TF6000 1/2	18,5	40,5	10	9,3	6,7
TF6000 3/4	23,8	50,8	10	11,3	8,7
TF6000 1"	27,8	57,1	12	13,3	10,3
TF6000 1" 1/4	31,6	66,7	12	15,3	11,8
TF6000 1" 1/2	36,7	79,4	14	17,3	13,8
TF6000 2"	44,4	96,8	14	21,3	17,0


SAE PLUGS


 **TAPPI SAE 3000**

SAE PLUGS 3000

Dimensioni - Dimensions (mm)

Codice/Code	A	B	C
TS 3000 1/2	30,0	10,0	7,0
TS 3000 3/4	38,0	10,0	7,5
TS 3000 1"	46,0	12,0	9,0
TS 3000 1" 1/4	51,5	12,0	9,0
TS 3000 1" 1/2	61,0	11,5	9,0
TS 3000 2"	71,0	13,5	11,5
TS 3000 2" 1/2	84,5	12,0	11,0

 **TAPPI SAE 6000**

SAE PLUGS 6000

Dimensioni - Dimensions (mm)

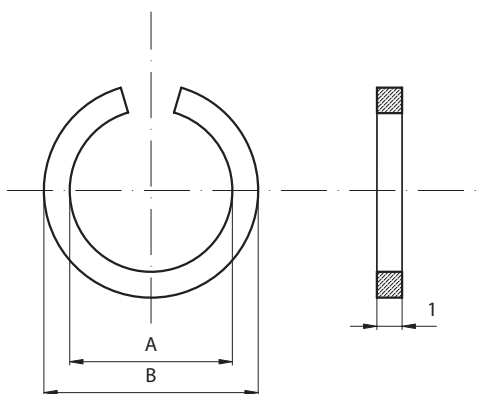
Codice/Code	A	B	C
TS 6000 1/2	32,0	10,5	8,0
TS 6000 3/4	41,5	11,5	10,0
TS 6000 1"	49,0	14,5	10,5
TS 6000 1" 1/4	55,0	13,5	10,5
TS 6000 1" 1/2	60,5	11,5	9,5
TS 6000 2"	81,0	15,0	14,0

Standards:

Materiale	MATERIAL
	LDPE
Colore	COLOR
ROSSO	RED

ANELLINI ANTI SFILAMENTO DADO

GASKET sp 1 Ap

SP 1 APERTO

Standards:
Materiale MATERIAL

MOPLen EP548R
Colore COLOR

NEUTRO NEUTRAL

ANELLINI ANTI SFILAMENTO DADO
GASKET sp 1 Ap

Dimensioni - Dimensions (mm)

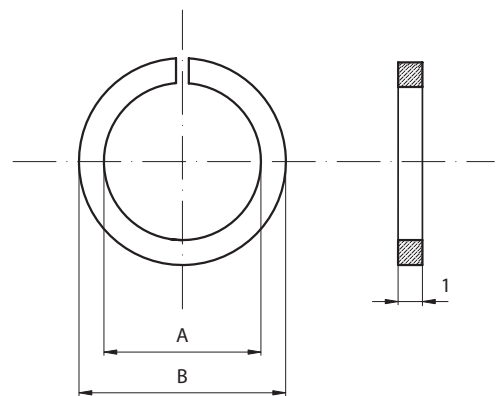
SP 1 APERTO

Codice/Code	A	B
AAM0001 AP	6,5	12,0
AAM0002 AP	8,0	17,5
AAM0003 AP	9,5	17,5
AAM0004 AP	11,0	18,0
AAM0014 AP	8,0	14,0
AAM0019 AP	12,5	18,0
AAM0020 AP	16,0	24,0
AAM0023 AP	19,5	24,5
AAM0050 AP	9,4	14,0
AAM0051 AP	11,3	16,7
AAM0052 AP	14,5	20,5
AAM0053 AP	17,5	24,5
AAM0054 AP	20,4	28,0
AAM0055 AP	26,3	34,9
AAM0056 AP	33,5	42,0
AAM0057 AP	10,5	16,7
AAM0058 AP	12,4	16,7
AAM0059 AP	39,5	47,0

ANELLINI ANTI SFILAMENTO DADO

GASKET sp 1

SP 1



ANELLINI ANTI SFILAMENTO DADO

GASKET sp 1

Dimensioni - Dimensions (mm)

Codice/Code	A	B
AAM0001	6,5	12,0
AAM0002	8,0	17,5
AAM0003	9,5	17,5
AAM0004	11,0	18,0
AAM0005	14,5	24,0
AAM0006	17,5	27,0
AAM0007	20,5	33,0
AAM0008	26,5	40,0
AAM0009	33,5	44,0
AAM0010	39,5	47,5
AAM0011	9,5	24,0
AAM0012	11,0	24,0
AAM0013	14,5	27,0
AAM0014	8,0	14,0
AAM0015	7,5	12,5

Dimensioni - Dimensions (mm)

Codice/Code	A	B
AAM0016	5,0	10,0
AAM0017	14,0	20,5
AAM0018	20,5	30,0
AAM0020A	17,5	24,0
AAM0021	33,5	47,5
AAM0024	52,0	63,0
AAM0030	11,0	14,0
AAM0031	14,0	18,0
AAM0032	20,0	24,0
AAM0033	25,0	31,0
AAM0034	27,0	31,0
AAM0064	33,5	49,0
AAM0065	41,0	52,0
AAM0066	39,5	52,0
AAM0067	52,0	66,0

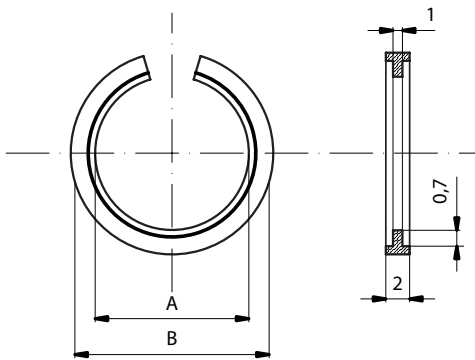
Standards:

Materiale MATERIAL
MOPLen EP548R

Colore COLOR
NEUTRO NEUTRAL

ANELLINI ANTI SFILAMENTO DADO

GASKET sp 2 Ap

SP 2 APERTO

Standards:

Materiale	MATERIAL
	MOPLen EP548R
Colore	COLOR
NEUTRO	NEUTRAL

ANELLINI ANTI SFILAMENTO DADO
GASKET sp 2 Ap

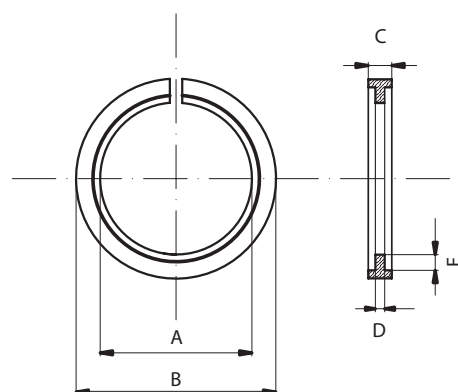
Dimensioni - Dimensions (mm)

SP 2 APERTO

Codice/Code	A	B
AAM0035 AP	6,7	13,0
AAM0036 AP	10,8	17,0
AAM0037 AP	14,0	20,0
AAM0038 AP	8,7	15,0
AAM0039 AP	19,0	25,5
AAM0040 AP	41,5	46,5
AAM0041 AP	25,8	34,0
AAM0042 AP	34,6	41,2
AAM0043 AP	17,0	23,0
AAM0044 AP	48,0	58,0
AAM0068 AP	40,5	49,0
AAM0069 AP	7,9	14,0
AAM0070 AP	11,4	16,7
AAM0071 AP	20,8	28,5
AAM0072 AP	26,4	35,0

ANELLINI ANTI SFILAMENTO DADO

GASKET



ANELLINI ANTI SFILAMENTO DADO

GASKET

Codice/Code	Dimensioni - Dimensions (mm)				
	A	B	C	D	E
AAM0073	8	11	2,1	0,6	0,7
AAM0060	13,0	18	3,0	0,9	1,0
AAM0061	17,0	22	3,0	0,9	1,0
AAM0062	20,0	26	3,0	0,9	1,0
AAM0063	10,0	14	3,0	0,9	1,0
AAM0075	24,0	30	4,5	1,4	1,0
AAM0076	30,0	36	4,5	1,4	1,0
AAM0077	36,5	43	4,5	1,4	1,0
AAM0078	43,0	50	4,5	1,4	1,0

Standards:

Materiale MATERIAL

MOPLen EP548R

Colore COLOR

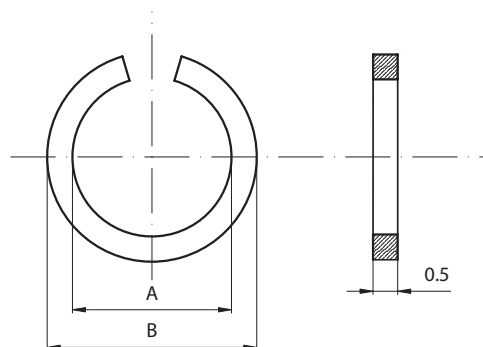
NEUTRO NEUTRAL



ANELLINI ANTI SFILAMENTO DADO

GASKET sp 0,5

SP 0,5 APERTO



Standards:

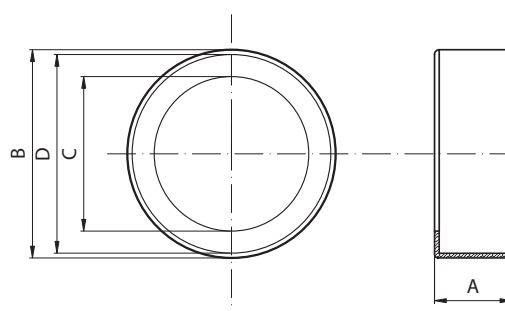
Materiale	MATERIAL
	MOPLen EP548R
Colore	COLOR
NEUTRO	NEUTRAL

SP 0,5 APERTO

ANELLINI ANTI SFILAMENTO DADO GASKET sp 0,5

Dimensioni - Dimensions (mm)

Codice/Code	A	B
DN 06	8	13
DN 08	9	14,5
DN 10	11	17
DN 13 (12)	14,5	20,5
DN 16	17,5	24,5
DN 32	34,2	38



TAPPI ANELLINO

RINGS FOR R6 PIPE

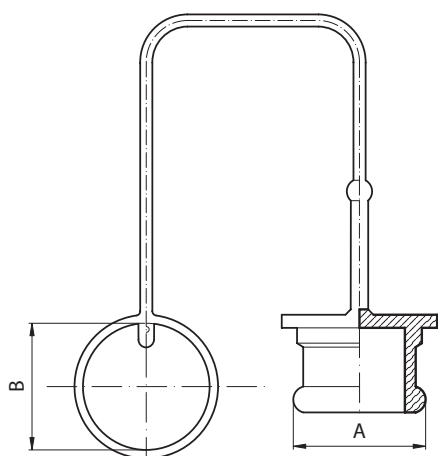
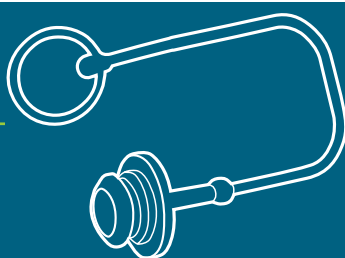
Codice/Code	Dimensioni - Dimensions (mm)			
	A	B	C	D
TANE 1/4	5,5	15,0	9,3	13,5
TANE 1/4 D	5,5	15,0	8,5	13,5
TANE 3/8	6,5	19,0	12,3	16,5
TANE 3/8 D	6,5	19,0	11,5	16,5
TANE 1/2	7,0	23,0	15,4	20,3
TANE 1/2 D	7,0	23,0	14,5	20,3
TANE 5/8	9,0	29,5	18,0	26,5
TANE 3/4	9,0	30,0	21,6	26,7
TANE 3/4 D	9,0	30,0	21,0	26,7
TANE 1	9,5	35,0	27,2	33,2

Standards:

Materiale	MATERIAL
	LDPE
Colore	COLOR
ROSSO	RED

TAPPI MASCHIO A INNESTO RAPIDO

PLUGS MALE FOR QUICK COUPLING



Standards:

Materiale	MATERIAL
GOMMA	RUBBER
Colore	COLOR
ROSSO	RED

INNESTO RAPIDO MASCHIO

plugs MALE FOR QUICK COUPLING

Dimensioni - Dimensions (mm)

TIRM
DLM

Codice/Code	A	B
TIRM 1/4	16	23,0
TIRM 3/8	21	23,0
TIRM 1/2	23	29,0
TIRM 3/4	30	36,0
TIRM 1"	34	37,5

TIRM
DLM K

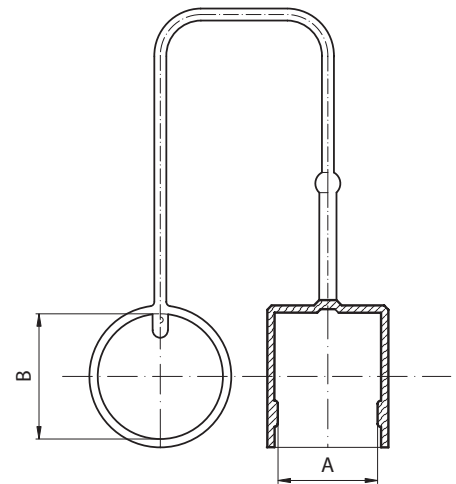
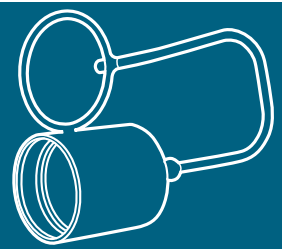
TIRM 3/8 K	18,0	23,0
TIRM 1/2 K	23	29,0
TIRM 3/4 K	30,5	36,0
TIRM 1" K	33,5	37,5

TIRM
DLM H

TIRM 1/4 H	15,5	23,0
TIRM 3/8 H	20,0	23,0
TIRM 1/2 H	25,5	29,0
TIRM 3/4 H	32,5	36,0
TIRM 1" H	40,0	37,5

TAPPI FEMMINA A INNESTO RAPIDO

PLUGS FEMALE FOR QUICK COUPLING



INNESTO RAPIDO FEMMINA PLUGS FEMALE FOR QUICK COUPLING

Dimensioni - Dimensions (mm)

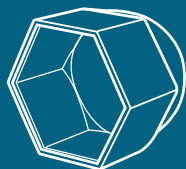
TIRM	DLM	Codice/Code	
		A	B
		TIRF 1/4	23,0
		TIRF 3/8	23,0
		TIRF 1/2	29,0
		TIRF 3/4	36,0
		TIRF 1"	37,5

TIRM	DLM K	Codice/Code	
		A	B
		TIRF 3/8 K	23,0
		TIRF 1/2 K	29,0
		TIRF 3/4 K	36,0
		TIRF 1" K	37,5

TIRM	DLM H	Codice/Code	
		A	B
		TIRF 1/4 H	23
		TIRF 3/8 H	23
		TIRF 1/2 H	29
		TIRF 3/4 H	36
		TIRF 1" H	37,5

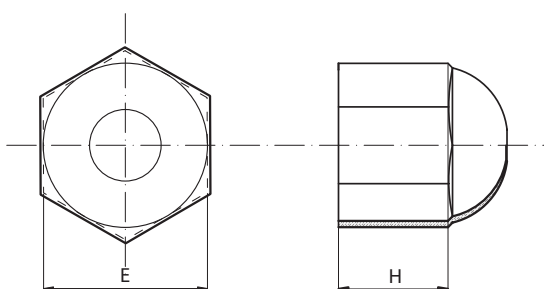
Standards:

Materiale	MATERIAL
GOMMA	RUBBER
Colore	COLOR
ROSSO	RED



TAPPI A DADO ESAGONALE

HEXAGON SHAPED CAPS



Standards:

Materiale	MATERIAL
	LDPE
Colore	COLOR
NERO	BLACK

TAPPI A DADO ESAGONALE

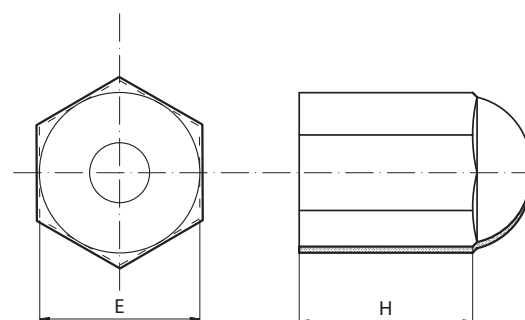
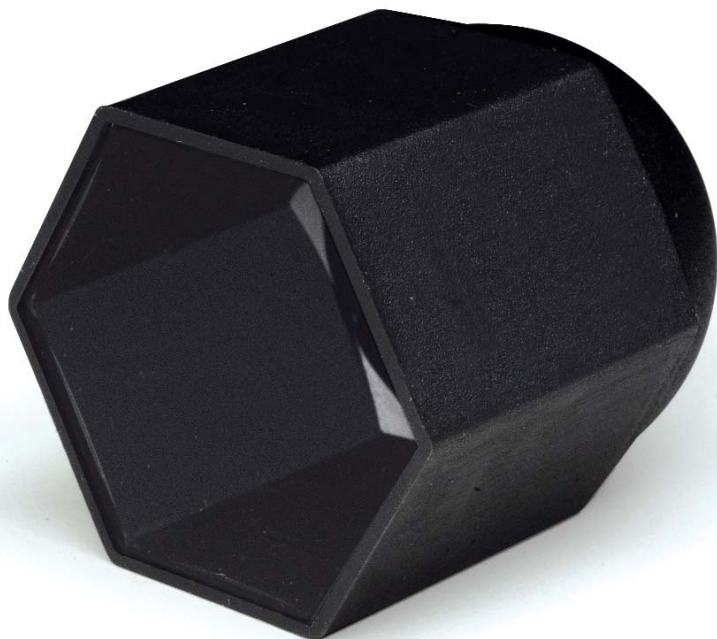
HEXAGON SHAPED CAPS

Dimensioni - Dimensions (mm)

Codice/Code	E	H
E514	14	8
E516	16	9
E517	17	10
E519	19	11
E522	22	12
E524	24	14
E525	25	14
E527	27	16
E529	29	18
E530	30	18
E532	32	19
E536	36	20
E538	38	20
E541	41	22
E546	46	30
E550	50	30

TAPPI A DADO ESAGONALE LUNGO

HEXAGON SHAPED CAPS TYPE LONG



TAPPI A DADO ESAGONALE LUNGO

HEXAGON SHAPED CAPS TYPE LONG

Dimensioni - Dimensions (mm)

Codice/Code	E	H
ES14L	14	28
ES16L	16	28
ES17L	17	28
ES19L	19	28
ES22L	22	28
ES24L	24	28
ES25L	25	28
ES27L	27	28
ES29L	29	30
ES30L	30	30
ES32L	32	30
ES36L	36	30
ES38L	38	31
ES41L	41	31
ES46L	46	30
ES50L	50	30

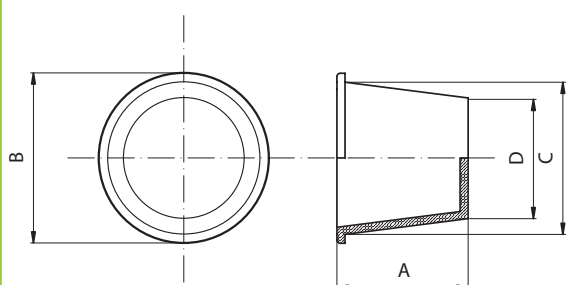
Standards:

Materiale	MATERIAL
	LDPE
Colore	COLOR
NERO	BLACK



TAPPI CONICI

TAPERED PLUGS



Standards:

Materiale MATERIAL
LDPE

Colore COLOR
ROSSO RED

TAPPI CONICI

TAPERED PLUGS

Codice/Code	Dimensioni - Dimensions (mm)			
	A	B	C	D
TCON0608	13,5	12,5	6	8
TCON0810	8,5	13,5	8	10
TCON1214	11,5	17,5	12	14
TCON1618	12,5	22,0	16	18
TCON2023	15,5	27,0	20	23
TCON2831	23,5	38,0	28	31
TCON3437	23,5	44,0	34	37
TCON3842	23,5	46,5	38	42
TCON4044	23,5	50,0	40	44

Nota:

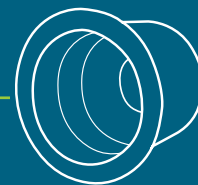
alcune misure sono disponibili nella versione con linguetta

NOTE:

some DIMENSIONS are AVAILABLE WITH TONGUE

TAPPI CONICI UNIVERSALI

UNIVERSAL TAPERED PLUGS

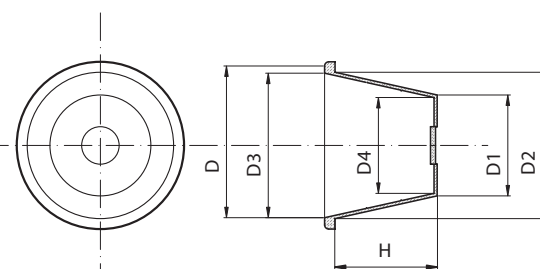


TAPPI CONICI UNIVERSALI

UNIVERSAL TAPERED PLUGS

Dimensioni - Dimensions (mm)

Codice/Code	D1	D2	D3	D4	D	H
EP280/O 1	4,4	6,15	4,55	2,8	10	10
EP280/O 2	6	7,75	6,15	4,4	11	10
EP280/O 3	7,6	9,35	7,75	6	13	10
EP280/O 4	8,4	9,9	8,5	7	14	10
EP280/O 5	9,2	10,6	9,1	7,9	14	10
EP280/O 6	9,9	11,65	10,5	8,3	15	10
EP280/O 7	10,6	12,35	10,75	9	16	10
EP280/O 8	11,3	13,5	11,55	9,8	17	10
EP280/O 9	12	14,1	12,5	10,4	18	12
EP280/O 10	12,5	14,1	13,3	11,2	18	12
EP280/O 11	13,5	15,6	14	11,9	19	12
EP280/O 12	14	16,1	14,5	12,4	19	12
EP280/O 13	14,7	17	15,5	13,2	21	13
EP280/O 14	16,1	18	17	14,7	22	13
EP280/O 15	17,1	19,4	17,8	15,5	22	13
EP280/O 16	17,5	20,1	18,5	15,9	24	15
EP280/O 17	18,4	21	19,4	16,8	25	15
EP280/O 18	19	21,6	20	17,5	25	15
EP280/O 19	20,4	23,2	21,6	18,8	27	16
EP280/O 20	20,7	23,5	21,9	19,1	28	16
EP280/O 21	22	24,8	23,2	20,4	29	16
EP280/O 22	23,2	26,35	24,35	21,2	30	18
EP280/O 23	24,5	27,8	26,2	22,9	32	19
EP280/O 24	25,2	29,2	27,7	23,7	33	19
EP280/O 25	27,8	31,1	29,5	26,2	35	19
EP280/O 26	29,8	31,6	31,1	28,3	37	16
EP280/O 27	31,4	34,8	33,4	30	38	22
EP280/O 28	33,3	37,1	35,5	31,7	41	22
EP280/O 29	36,7	40,5	39	35,2	45	22
EP280/O 291	38,4	40,7	39,2	36,9	45	13
EP280/O 30	38,2	42	41,4	36,8	48	23
EP280/O 31	39,6	42,9	41,9	38	48	19
EP280/O 32	41,4	44,7	43	39,7	49	19
EP280/O 33	44,4	47,7	46,1	42,8	51	20
EP280/O 34	45,2	49,6	48	43,6	54	27
EP280/O 35	46,4	51	49,6	45,2	55	25
EP280/O 36	52,5	56,9	55,2	50,8	62	25
EP280/O 37	54	59,25	57,25	52,5	65	25
EP280/O 38	54,2	58,6	57	52,6	65	25
EP280/O 39	58,4	62,8	61,1	56,7	67	25
EP280/O 40	60,8	65,9	64,3	59,2	71	29
EP280/O 41	67,1	70,4	68,7	65,4	75	19
EP280/O 42	72,4	75,7	74,1	70,8	83	19
EP280/O 43	84,5	87,8	85,7	82,4	92	19



Standards:

Materiale	MATERIAL
	LDPE
Colore	COLOR
GIALLO	YELLOW



TAPPI A STRAPPO

PLUGS TO STRIP

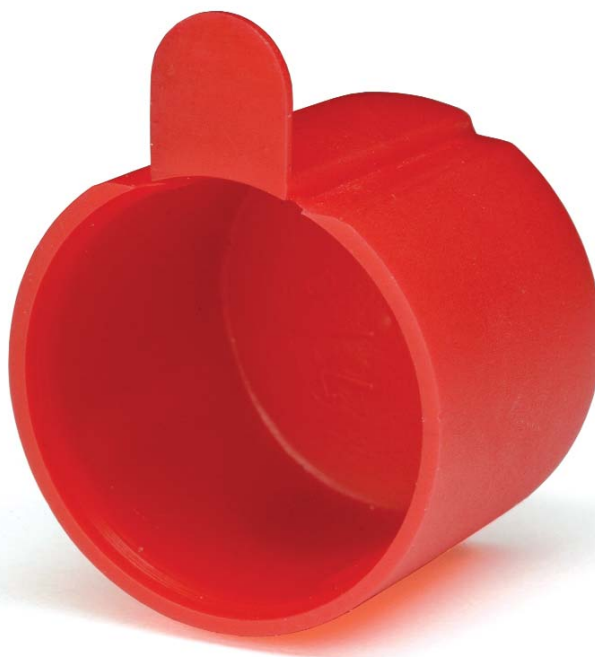
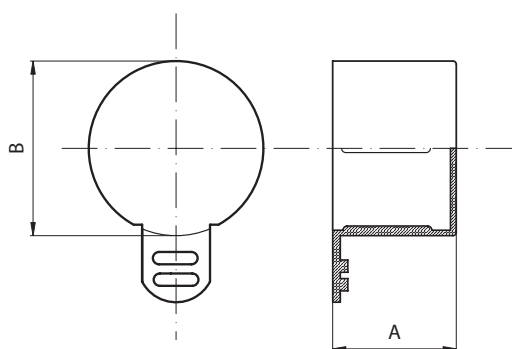
Type:

Unf

UNF

Gas

GAS



Standards:

Materiale MATERIAL

LDPE

Colore COLOR

ROSSO RED

TAPPI A STRAPPO UNF

UNF PLUGS TO STRIP

Dimensioni - Dimensions (mm)

Codice/Code	A	B
TSTR 7/16 UNF	13,5	13,5
TSTR 1/2 UNF	13,5	15,0
TSTR 9/16 UNF	14,5	15,0
TSTR 3/4 UNF	17,0	21,0
TSTR 7/8 UNF	20,5	25,0
TSTR 1" 1/16 UNF	22,5	29,5

TAPPI A STRAPPO GAS

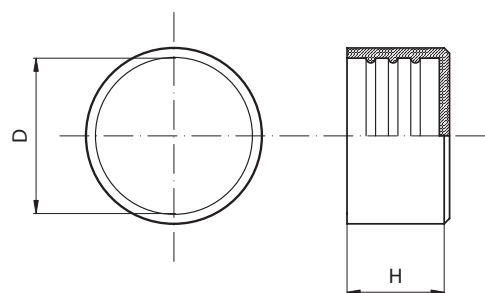
GAS PLUGS TO STRIP

Dimensioni - Dimensions (mm)

Codice/Code	A	B
TSTR 3/8 GAS	13,5	18,5
TSTR 1/2 GAS	16,5	22,5
TSTR 3/4 GAS	22,5	29,5

TAPPI PROTEZIONE TERMINALI TUBI

PIPE PROTECTION CAPS



↘ TAPPI PROTEZ. TERMINALI TUBI

pipe PROTECTION caps

Dimensioni - Dimensions (mm)

Codice/Code	D	H	Ø tubo
13PT 4	4	22	
13PT 5	5	18	
13PT 6	6	18	
13PT 6,35	6,35	13	
13PT 7	7	18	
13PT 8	8	19	
13PT 9,6	9,6	14	6 1/8"
13PT 10	10	21	1/8"
13PT 11	11	15	
13PT 11,5	11,5	19,5	
13PT 12	12	19,5	
13PT 12,7	12,7	19	
13PT 13	13	18	6 1/4"
13PT 13,7	13,7	18	1/4"
13PT 14	14	20	
13PT 15	15	18	
13PT 15,5	15,5	15	
13PT 16	16	20	
13PT 17,2	17,2	20	3/8"
13PT 18	18	18	
13PT 18,5	18,5	18	
13PT 19	19	18	
13PT 20	20	20	
13PT 21,3	21,3	16	1/2"
13PT 22	22	20	
13PT 23,2	23,2	17	
13PT 24	24	17	
13PT 24,8	24,8	17	

Dimensioni - Dimensions (mm)

Codice/Code	D	H	Ø tubo
13PT 25,4	25,4	20	
13PT 26	26	20	
13PT 26,9	26,9	18,5	3/4"
13PT 28,5	28,5	23,5	
13PT 30	30	27,5	
13PT 31,8	31,8	20	
13PT 33,7	33,7	20	1"
13PT 35	35	27	
13PT 36,5	36,5	20	
13PT 38	38	20	
13PT 39	39	17	
13PT 40	40	27	
13PT 41,3	41,3	19,5	
13PT 42,4	42,4	20	1" 1/4
13PT 44,5	44,5	20	
13PT 45,4	45,4	20	
13PT 47,5	47,5	25	
13PT 48,3	48,3	25	1" 1/2
13PT 51	51	27,5	
13PT 52	52	33	
13PT 52,8	52,8	23	
13PT 54	54	27,5	1" 3/4
13PT 55	55	29	
13PT 57	57	26,5	
13PT 59	59	30	
13PT 60,3	60,3	27	2"

Standards:

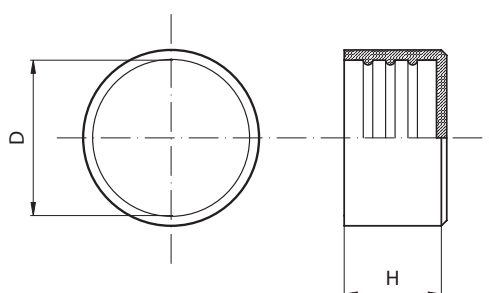
Materiale MATERIAL
LDPE

Colore COLOR
NEUTRO NEUTRAL



TAPPI PROTEZIONE TERMINALI TUBI

PIPE PROTECTION CAPS



Dimensioni - Dimensions (mm)

Codice/Code	D	H	Ø tubo
13PT 127	127	35	
13PT 130	130	40	
13PT 133	133	40	
13PT 136	136	40	
13PT 138	138	32,5	
13PT 139,7	139,7	33,5	5"
13PT 141,3	141,3	34,5	5"
13PT 146	146	40	
13PT 148	148	35	
13PT 152,4	152,4	40	
13PT 156	156	40	
13PT 159	159	37	
13PT 165	165	40	
13PT 168,3	168,3	38,5	6"
13PT 170	170	45	
13PT 176	176	40	
13PT 177,8	177,8	40	
13PT 180	180	40	
13PT 185	185	40	
13PT 190	190	40	
13PT 193,7	193,7	42	
13PT 200	200	50	
13PT 210	210	40	
13PT 219,1	219,1	45	8"
13PT 225	225	39	
13PT 232	232	40	
13PT 242	242	50	
13PT 245	245	49	
13PT 250	250	47	
13PT 267	267	43	
13PT 273	273	50	10"
13PT 323,9	323,9	55	12"
13PT 355,6	355,6	56	14"
13PT 366	366	54	
13PT 400	400	65	
13PT 406,4	406,4	60,5	16"
13PT 419	419	60	
13PT 450	450	65	
13PT 457,2	457,2	63	18"
13PT 508	508	65	20"
13PT 558,8	558,8	60	22"
13PT 609,6	609,6	61	24"
13PT 660,4	660,4	100	26"
13PT 711,2	711,2	115	28"
13PT 762	762	115	30"
13PT 812,8	812,8	115	32"
13PT 914,4	914,4	115	36"
13PT 1016	1016	115	40"
13PT 1066,8	1066,8	115	42"
13PT 1117,6	1117,6	125	44"
13PT 1219,2	1219,2	115	48"
13PT 1320,8	1320,8	150	52"
13PT 1422,4	1422,4	150	56"
13PT 1524	1524	150	60"
13PT 1625,6	1625,6	150	64"

TAPPI PROTEZ. TERMINALI TUBI

PIPE PROTECTION CAPS

Dimensioni - Dimensions (mm)

Codice/Code	D	H	Ø tubo
13PT 63,5	63,5	27	
13PT 65	65	30	
13PT 67	67	30	
13PT 70	70	34,5	
13PT 73	73	30	2" 1/2
13PT 75	75	38	
13PT 76	76	28	2" 1/2
13PT 77	77	35	
13PT 78	78	26	
13PT 80	80	29,5	
13PT 82	82	30	
13PT 83	83	30	
13PT 85	85	30	
13PT 88,9	88,9	34	3"
13PT 92,4	92,4	25	
13PT 95	95	37,5	
13PT 98	98	37,5	
13PT 100	100	40	
13PT 101,6	101,6	30	3" 1/2
13PT 103	103	40	
13PT 106	106	40	
13PT 108	108	35	
13PT 110	110	38	
13PT 114,3	114,3	33	4"
13PT 116,3	116,3	40	
13PT 117,5	117,5	40	
13PT 121	121	38	
13PT 125	125	35	

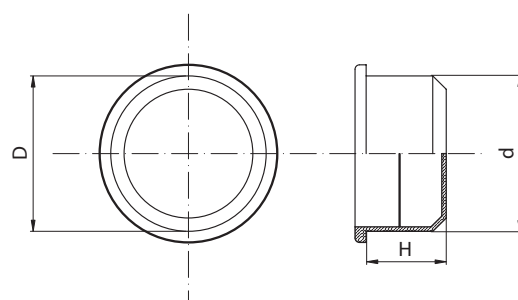
Standards:

Materiale MATERIAL

LDPE

Colore COLOR

NEUTRO NEUTRAL

PARALLEL PROTECTION PLUGS**SOTTOTAPPI****PARALLEL PROTECTION PLUGS**

Dimensioni - Dimensions (mm)

Codice/Code	d	D	H
SOT 2	2	6,5	3
SOT 2,5	2,5	6,5	3,5
SOT 3	3	6,5	4,5
SOT 3,5	3,5	7	4,5
SOT 4	4	7,5	5
SOT 4,5	4,5	8	5
SOT 5	5	9	6
SOT 5,5	5,5	9	6
SOT 6	6	9,5	6
SOT 6,5	6,5	10	7
SOT 7	7	10	6
SOT 7,5	7,5	10,5	6,5
SOT 8	8	11	7
SOT 8,5	8,5	11,5	7,5
SOT 9	9	11,5	7,5
SOT 9,5	9,5	12,5	7,5
SOT 10	10	13	8,5
SOT 10,5	10,5	13,5	8,5
SOT 11	11	14,5	8,5
SOT 11,5	11,5	14,5	8,5
SOT 12	12	14,5	9
SOT 12,5	12,5	15,5	9
SOT 13	13	16,5	9,5
SOT 13,5	13,5	16,5	9,5
SOT 14	14	17,5	10
SOT 14,5	14,5	17,5	9,5
SOT 15	15	18	9,5
SOT 15,5	15,5	18,5	9,5

Dimensioni - Dimensions (mm)

Codice/Code	d	D	H
SOT 16	16	19,5	10
SOT 16,5	16,5	19,5	10,5
SOT 17	17	20,5	10,5
SOT 17,5	17,5	21	10,5
SOT 18	18	21,5	10,5
SOT 18,5	18,5	23	10
SOT 19	19	22	10
SOT 19,5	19,5	23	10,5
SOT 20	20	23,5	11
SOT 20,5	20,5	24,5	10,5
SOT 21	21	24,5	11
SOT 21,5	21,5	25,5	11
SOT 22	22	25,5	11
SOT 22,5	22,5	26	10,5
SOT 23	23	27	10,5
SOT 23,5	23,5	27	10,5
SOT 24	24	28	11,5
SOT 24,5	24,5	28	10,5
SOT 25	25	28	12
SOT 25,5	25,5	29	10,5
SOT 26	26	30,5	10,5
SOT 26,5	26,5	30	10,5
SOT 27	27	31	9,5
SOT 27,5	27,5	31	10,5
SOT 28	28	32,5	10,5
SOT 28,5	28,5	32	10

Standards:

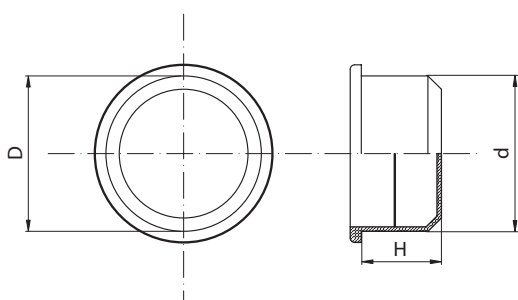
Materiale	MATERIAL
	LDPE
Colore	COLOR
NEUTRO	NEUTRAL





SOTTOTAPPI

PARALLEL PROTECTION PLUGS



Dimensioni - Dimensions (mm)

Codice/Code	d	D	H
SOT 45	45	50	12,5
SOT 46	46	51	10,5
SOT 47	47	51,5	10,5
SOT 48	48	52,5	10,5
SOT 49	49	54,5	11
SOT 50	50	54	10
SOT 51	51	56	11
SOT 52	52	57,5	11
SOT 53	53	59	11
SOT 54	54	61	11
SOT 55	55	61	11
SOT 56	56	63	12
SOT 57	57	61	10
SOT 57,5	57,5	63	13,5
SOT 58	58	65	11
SOT 59	59	65	11
SOT 60	60	65	11
SOT 61	61	67,5	11
SOT 61,5	61,5	67,5	11
SOT 62	62	68	11
SOT 63	63	66,5	12,5
SOT 64	64	67,5	9,5
SOT 65	65	69	10
SOT 66	66	71	12
SOT 67	67	73	10
SOT 68	68	75	11
SOT 69	69	75	10,5
SOT 70	70	74	11
SOT 71	71	77	11
SOT 72	72	79	12
SOT 73	73	76,5	9,5
SOT 74	74	77,5	10,5
SOT 74,5	74,5	80	12

SOTTOTAPPI

PARALLEL PROTECTION PLUGS

Dimensioni - Dimensions (mm)

Codice/Code	d	D	H
SOT 29	29	32	9,5
SOT 29,5	29,5	33	10,5
SOT 30	30	33	10
SOT 30,5	30,5	34	10
SOT 31	31	36	10,5
SOT 31,5	31,5	35	10,5
SOT 32	32	37	10,5
SOT 32,5	32,5	37,5	10,5
SOT 33	33	38	10,5
SOT 33,5	33,5	37,5	10,5
SOT 34	34	38,5	10,5
SOT 34,5	34,5	38	10,5
SOT 35	35	40	10,5
SOT 35,5	35,5	39	10,5
SOT 36	36	41	11
SOT 36,5	36,5	40	10,5
SOT 37	37	42	11
SOT 37,5	37,5	41,5	10,5
SOT 38	38	43	10,5
SOT 38,5	38,5	42	10,5
SOT 39	39	44	10,5
SOT 39,5	39,5	45	12,5
SOT 40	40	45	10,5
SOT 40,5	40,5	45	11
SOT 41	41	46	10,5
SOT 42	42	46,5	10,5
SOT 43	43	48	12,5
SOT 44	44	49	10,5

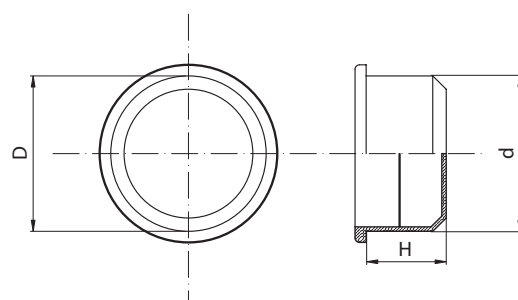
Standards:

Materiale MATERIAL

LDPE

Colore COLOR

NEUTRO NEUTRAL

PARALLEL PROTECTION PLUGS

Dimensioni - Dimensions (mm)

Codice/Code	d	D	H
SOT 75	75	79	9,5
SOT 76	76	80	10,5
SOT 77	77	81	9,5
SOT 78	78	82	10,5
SOT 79	79	86	13,5
SOT 80	80	84	9,5
SOT 81	81	85	9,5
SOT 82	82	85,5	9,5
SOT 83	83	86,5	9,5
SOT 84	84	90	10
SOT 85	85	88,5	9,5
SOT 85,5	85,5	92	11
SOT 86	86	90	9,5
SOT 86,5	86,5	90,5	9,5
SOT 87	87	90,5	9,5
SOT 88	88	91,5	9,5
SOT 89	89	92,5	9,5
SOT 90	90	93,5	9,5
SOT 91	91	94,5	9,5
SOT 92	92	95,5	9,5
SOT 93	93	101	13,5
SOT 94	94	98	9,5
SOT 95	95	98	9,5
SOT 96	96	104	13,5
SOT 97	97	101	9,5
SOT 98	98	102	9,5
SOT 99	99	103	9,5
SOT 100	100	104	10,5
SOT 101	101	105	10,5
SOT 102	102	106	10
SOT 103	103	113	13,5
SOT 104	104	107	10,5
SOT 105	105	108	10,5

Dimensioni - Dimensions (mm)

Codice/Code	d	D	H
SOT 106	106	109	10,5
SOT 107	107	115	13,5
SOT 108	108	112	10,5
SOT 109	109	113	10,5
SOT 110	110	114	12
SOT 111	111	116,5	13
SOT 112	112	115	10
SOT 115	115	124	15
SOT 120	120	130	15,5
SOT 121	121	123	12
SOT 125	125	136	16
SOT 130	130	134,5	13
SOT 132	132	141	13,5
SOT 140	140	151	15,5
SOT 150	150	160	16
SOT 160	160	170	16
SOT 167	167	178	17,5
SOT 180	180	191	16
SOT 184	184	194	16
SOT 186	186	194	16
SOT 200	200	211	15
SOT 208	208	220	15
SOT 233	233	245	16
SOT 250	250	259	14,5
SOT 261	261	273	16
SOT 285	285	298	18
SOT 300	300	324	18
SOT 311	311	324	18

Standards:

Materiale MATERIAL
LDPE

Colore COLOR
NEUTRO NEUTRAL

TAPPI SPECIALI / APPLICAZIONI

SPECIAL PLUGS / APPLICATIONS

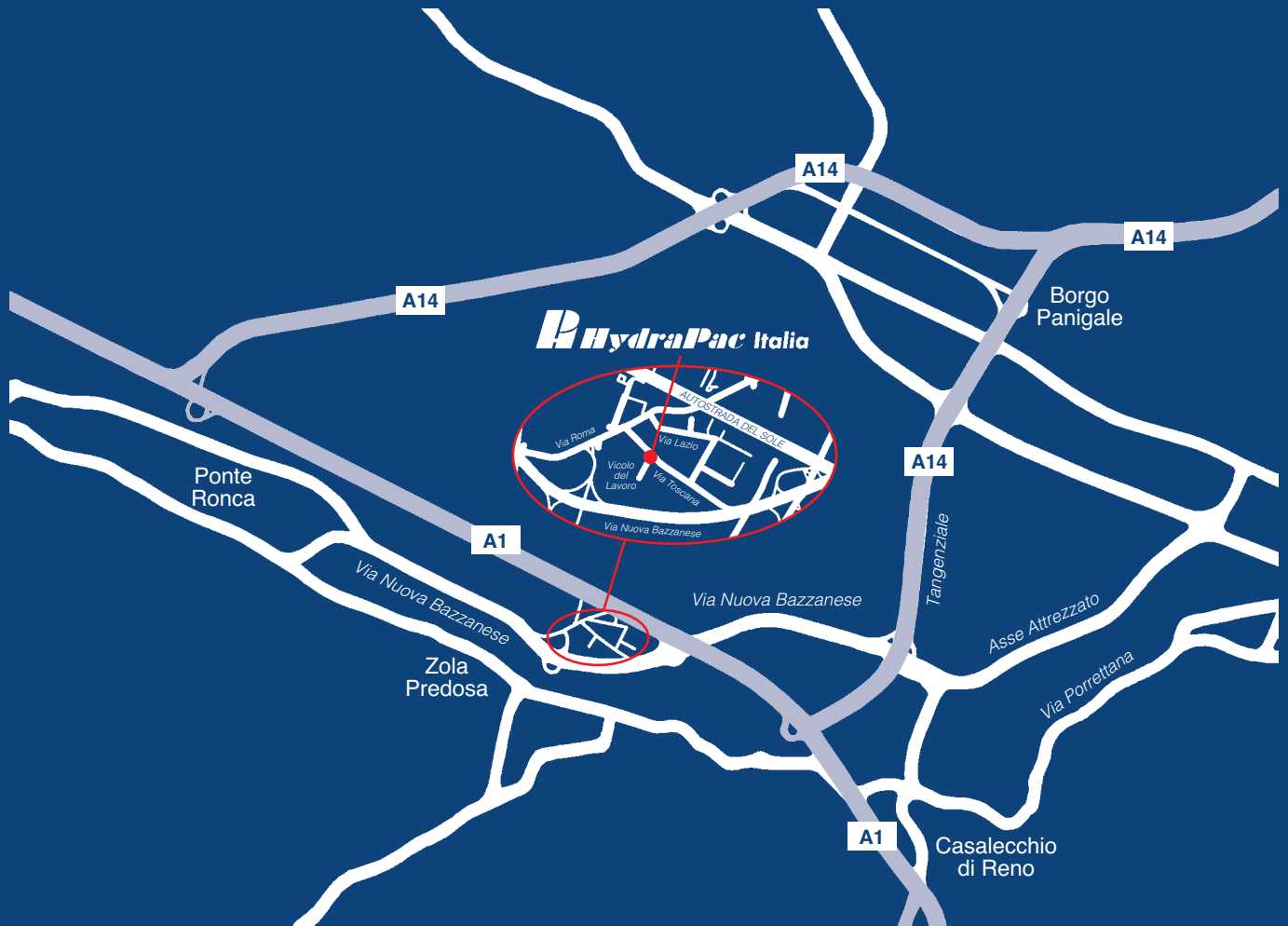


Tappi per applicazioni speciali:
- settore automotive
- a disegno

*Plugs for special appliances:
- automotive field
- as per customer drawing*







HYDRAPAC ITALIA

Vicolo Del Lavoro, 9 - 40069 Zola Predosa (Bologna) Italy

Tel. +39 051 755082 • Fax +39 051 6185568

www.hydrapac.it • info@hydrapac.it