

BM35

1 to 7 sections

Flow 35 l/min

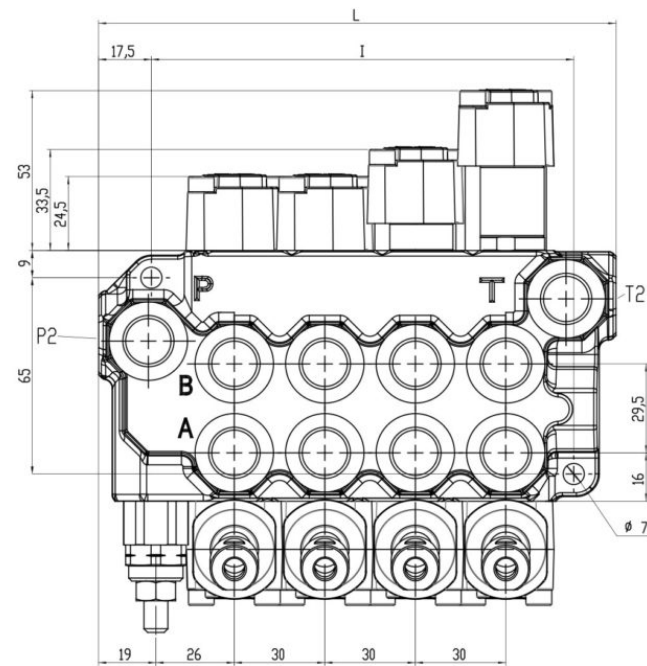
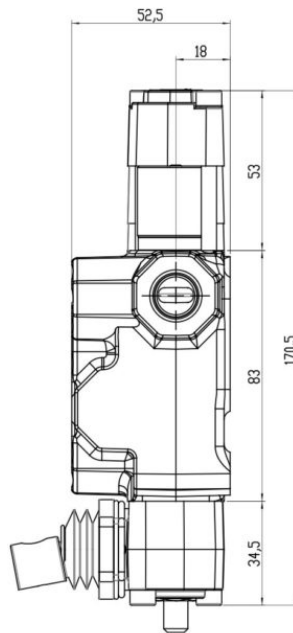
Ports threads 3/8" BSP /

SAE 8

2 Inlet and Outlet ports

Prepared for High
pressure Carry Over
(Power Beyond)

Manual, electric, servo-
hydraulic, electro-
hydraulic proportional



SPECIFICHE TECNICHE / TECHNICAL SPECIFICATIONS

PORTATA NOMINALE / NOMINAL FLOW	25 L/min	6,6 GPM
PORTATA MAX / MAX FLOW	35 L/min	9,2 GPM
PRESSIONE NOMINALE / NOMINAL PRESSURE	250 bar	3600 PSI
PRESSIONE MAX SUGLI UTILIZZI / MAX PRESSURE ON PORTS	320 bar	4700 PSI

FILETTATURE STANDARD / STANDARD THREADS

	A - B	P	T	P2	T2
G (BSP)	3/8"	3/8"	3/8"	3/8"	3/8"
F (UNF - SAE 8)	3/4"-16	3/4"-16	3/4"-16	3/4"-16	3/4"-16

SPECIFICHE TECNICHE / TECHNICAL SPECIFICATIONS

CONTROPRESSIONE MAX ALLO SCARICO / MAX PRESSURE ON TANK LINE	80 bar	1100 PSI
--	--------	----------

TRAFILAMENTI INTERNI / INTERNAL OIL LEAKAGE

A - B → T	4 ÷ 8 cc/min
-----------	--------------

CONDIZIONI DI TEST / TESTING CONDITIONS

PRESSIONE / PRESSURE	100 bar
TEMPERATURA DELL'OLIO / OIL TEMPERATURE	40 °C
VISCOSITÀ DELL'OLIO / OIL VISCOSITY	32 mm ² /s

DIMENSIONI / DIMENSIONS

N. DI SEZIONI N. OF SECTIONS	L		I	
	mm	inch	mm	inch
BM35/1	81,50	32,09	50	1,97
BM35/2	111,50	43,90	80	3,15
BM35/3	141,50	55,71	110	4,33
BM35/4	171,50	67,52	140	5,51
BM35/5	201,50	79,33	170	6,69
BM35/6	231,50	91,14	200	7,87
BM35/7	261,50	102,95	230	9,06

PERDITE DI CARICO / PRESSURE DROP

