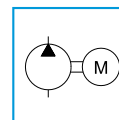


## MODULAR POWER PACKS

## FOR GEOTECHNICAL STRUCTURAL TESTS 700 BAR



Reservoir capacity	10 - 40 l
Delivery at 700 bar	0,9 l/min
Power rating	1,1 - 1,5 kW
Max pressure	700 bar

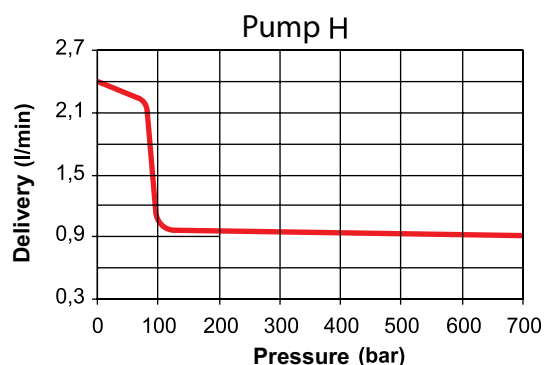
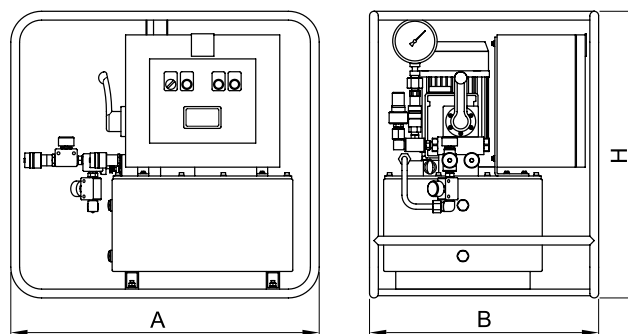
### FEATURES

Many years of experience in the geotechnical field, in particular test piles, have enabled EURO PRESS to develop a complete product with special features answering sector needs.

- **Digital display**, programmed for the desired pressure values
- **Automatic pressure restore** (also in case of structural yieldness)
- **Hysteresis system cycle setting**
- **Automatic or manual control**
- Possibility to make test cycles **by decreasing pressure**
- Arranged to be used both with **single than with double acting cylinders**
- External **pressure setting** (50-700 bar range)
- Single or 3-phase electric motor
- Two stage **pump** 2,4/0,9 l/min at 1400 rpm
- Manual 4 way 3 pos **valve** with pilot check
- 10, 20 and 40 litre **tank**
- Protective and transport **cage**
- Analogical **gauge** 100 mm dia.

### APPLICATION

Non destructive tests on concrete structures, construction material trials and geotechnical experiments both on site and in labs.



### OPERATING CHARACTERISTICS

MODEL	Delivery		Pressure		Motor			Reservoir capacity	Usable oil volume	Dimensions mm		
	1° Stage	2° Stage	1° Stage	2° Stage	Voltage	Power	Speed			A	B	H
	l/min	l/min	bar	bar		kW	rpm					
MEH11M52PP	2,4	0,9	85	700	400V-50Hz	1,1	1400	10	7,7	700	520	522
MEH20M52PP								20	17,7	700	520	650
MEH40M52PP								40	35,8	710	700	650
MMH11M52PP					230V-50Hz	1,5		10	7,7	700	520	522
MMH20M52PP								20	17,7	700	520	650
MMH40M52PP								40	35,8	710	700	650